

NEW CONSTRUCTION 2" MODULE INSTALLATION GUIDE - WARNING

WARNING – Read all product labels and instructions before installing fixture.

WARNING – Risk of fire or electric shock. LED fixture installation requires knowledge of luminaire electrical systems. Installation should be performed only by a qualified electrician in accordance with the National Electrical Code and relevant local code.

WARNING – Risk of fire or electric shock. Install this fixture only in ceilings that have the construction features and dimensions shown in the photographs and/or drawings.

WARNING – To prevent wiring damage or abrasion, do not expose wiring to edges of sheet metal or other sharp objects.

WARNING – Do not make or alter any open holes in an enclosure of wiring or electrical components during fixture installation.

WARNING – The fixture is intended for mounting only in a covered ceiling where only the led side of the luminaire will be exposed to damp or dry locations.

WARNING – INSTALLATION SHOULD ONLY BE PERFORMED AFTER POWER TO THE FIXTURE HAS BEEN DISCONNECTED.

NEW CONSTRUCTION 2" MODULE INSTALLATION

1. Make sure the **POWER IS TURNED OFF** at the source to the area in which you are installing the product.
2. If existing light fixture is present, remove from ceiling or move it out of the way as it will not be needed during installation. Measure the ceiling opening to make sure the edge of the luminaire will cover the entire hole and still sit firmly in the ceiling before proceeding.
3. If a new hole is needed, place the provided appropriate template on the ceiling at desired hole location. Cut the hole along the outside edge of the template. If using a hole cutter, set the diameter to 2-15/16" if using MM2T/RFT/XX/XX Trim* or 3" if using MM2T/RDT/OP/XX. (fig. 1)
4. Open the j-box swing cover and remove appropriate knock-out (fig.2).
5. Insert the incoming power supply through the j-box. Insert wires into the downlight quick connectors (black to black, white to white) and wire the grounds together (fig. 2). Place the driver in the ceiling (fig. 3). For new construction installation, attach the j-box to the building structure using j-box screw hole(s).
6. Push the 2" Module into the appropriate Trim* (MM2T/xxx/xx/xx). The Trim and the module are secured when the edge of the module is clicked into the 2 retainers of the Trim. (fig. 4)
7. Connect the power cord from the j-box to the cord from the fixture using the push quick connect. Secure the connection. (fig. 5).
8. With the j-box in the ceiling, push up the spring-action clips and insert the downlight into the ceiling. Release the springs and make sure the downlight is secure and sitting flush in the ceiling. (fig. 6 & 7)
9. Restore power at the source and the installation is complete.

*A MM2T/xxx/xx/xx Trim is required for fixture installation.

fig. 1

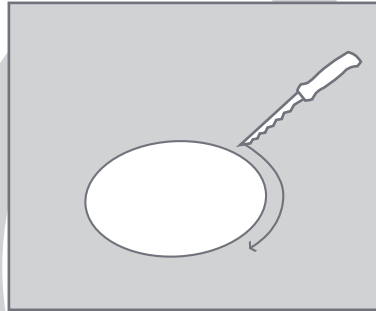


fig. 2

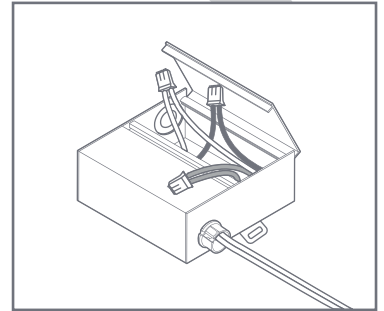


fig. 3

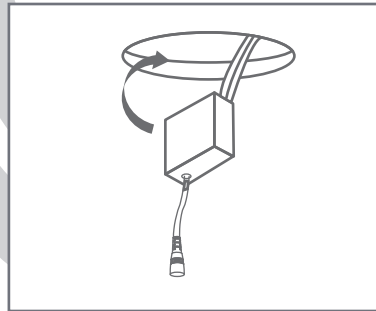


fig. 4

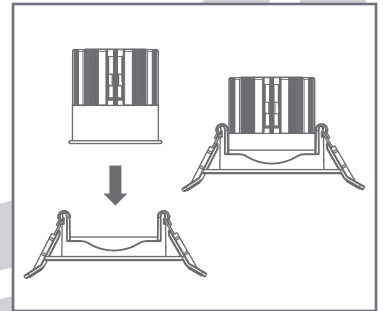


fig. 5

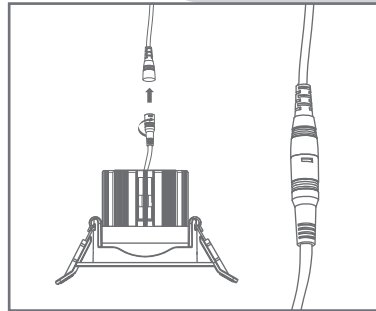


fig. 6

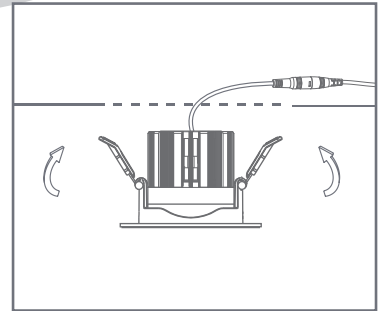
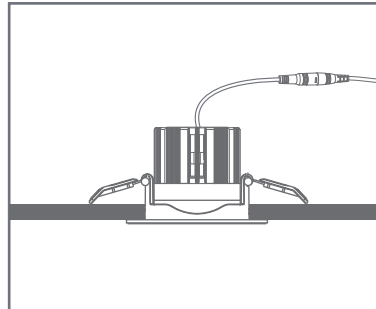


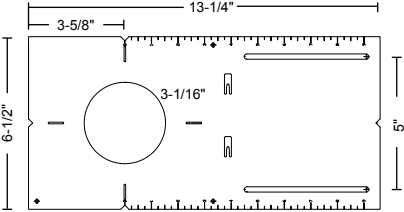
fig. 7



2" MODULE NEW CONSTRUCTION PLATE INSTALLATION GUIDE - WARNING

WARNING – Read all product labels and instructions before installing fixture.
WARNING – Wear safety gloves and other appropriate safety equipment.

DOWNLIGHT COMPATIBILITY & 2" MODULE DRYWALL NEW CONSTRUCTION PLATE

2" MODULE New Construction Plate	Compatible Products
 <p style="text-align: center;">MM2NCPLATE</p>	<p style="text-align: center;">MINIFIT 2" MODULE MM2/9XX/FL/DIM120 With Trim MM2T/RFT/XX/XX or MM2T/RDT/XX/XX</p>

2" MODULE NEW CONSTRUCTION PLATE DRYWALL INSTALLATION

1. Nail or screw the MM2NCPLATE to the ceiling's studs/joists. Note MM2NCPLATE allow a maximum spacing of 24". Use the spacing distance marks on the side of the plate to center the downlight as desired. (fig. 1)
2. Secure the MINIFIT 2" Module's driver in the ceiling following the 2" MODULE installation instructions.
3. Make electrical connection following the appropriate 2" MODULE installation instructions.
5. Once ceiling is installed follow the appropriate 2" MODULE installation instructions to complete the installation. (fig. 2, 3, 4 & 5)

